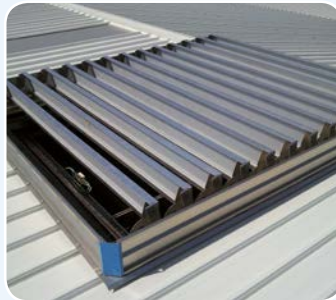


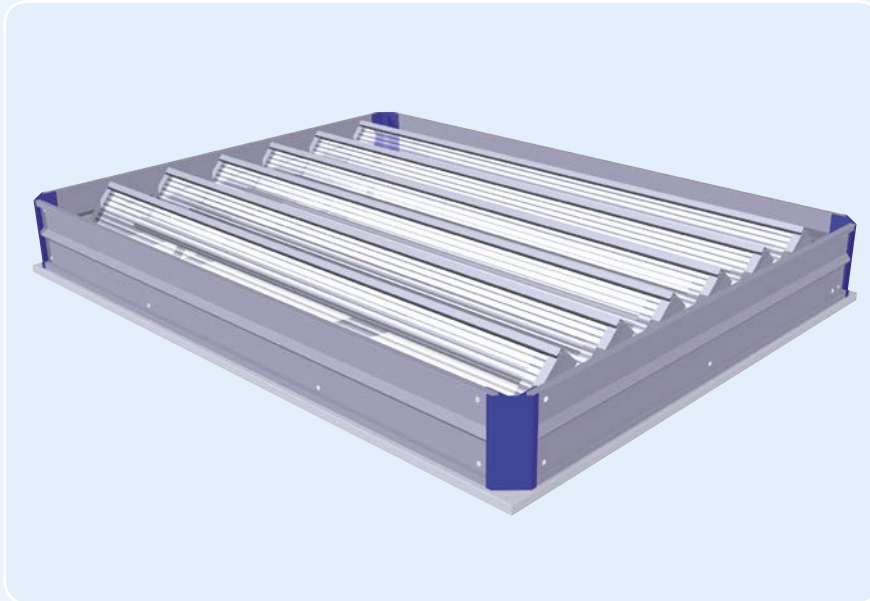


## Brakel® Eura



### Multilateral louvered ventilator

The Eura is a louvered ventilator that extracts large volumes of warm air and smoke within a short period of time. The Eura is both suitable for air feed (facade) and air extraction (facade and roof). The fail-safe Eura is available with a variety of blade types, including a translucent design. The system offers a favourable price/performance ratio. Application: from industrial buildings and offices to shopping centres and atria.



### Materials

Aluminium; tempered, sea water- and corrosion-resistant (EN AW 5754). Corrosion-resistant bearings. Seal incorporating a weather-resistant sealing strip longitudinally and energy strips. The seal is applied in such a manner that there is no risk of freezing and a high level of draft-proofness is guaranteed. The aluminium is completely corrosion-resistant and is supplied untreated as standard. If desired the Eura can be supplied in an anodised or powder-coated design (in any RAL colour you require). The Eura can also be designed to incorporate noise-damping wings and bird or insect mesh.

## Controls

### Natural ventilation:

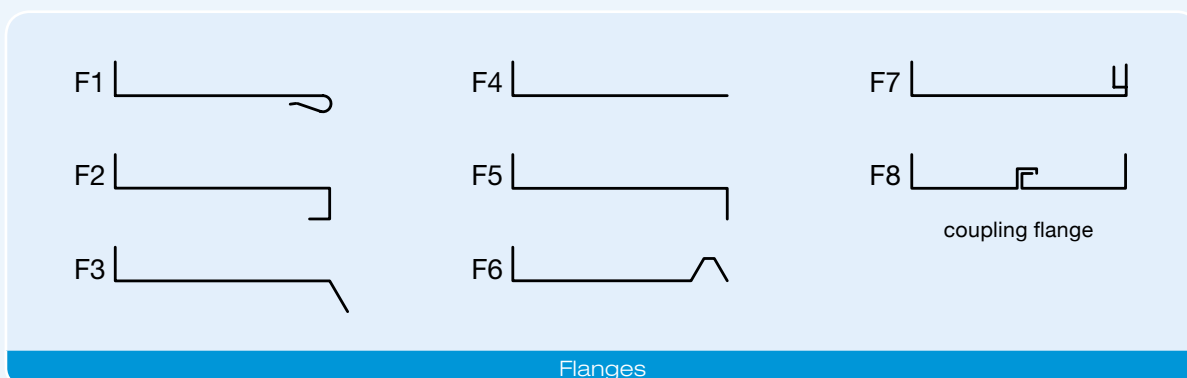
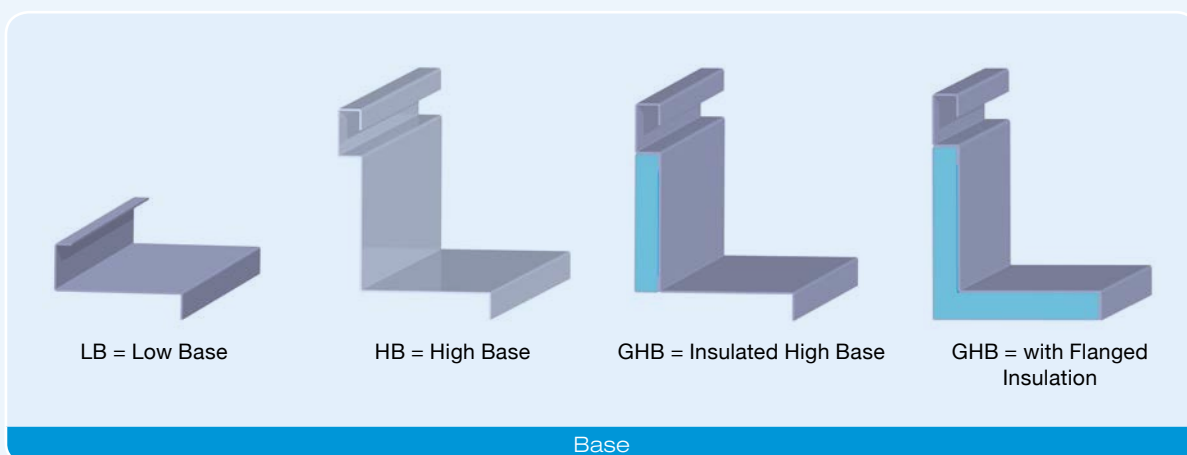
- P** single-action compressed air operation
- P2** double-action compressed air operation
- M** motor operation (24 Vdc of 230 Vac)
- K** cable operation

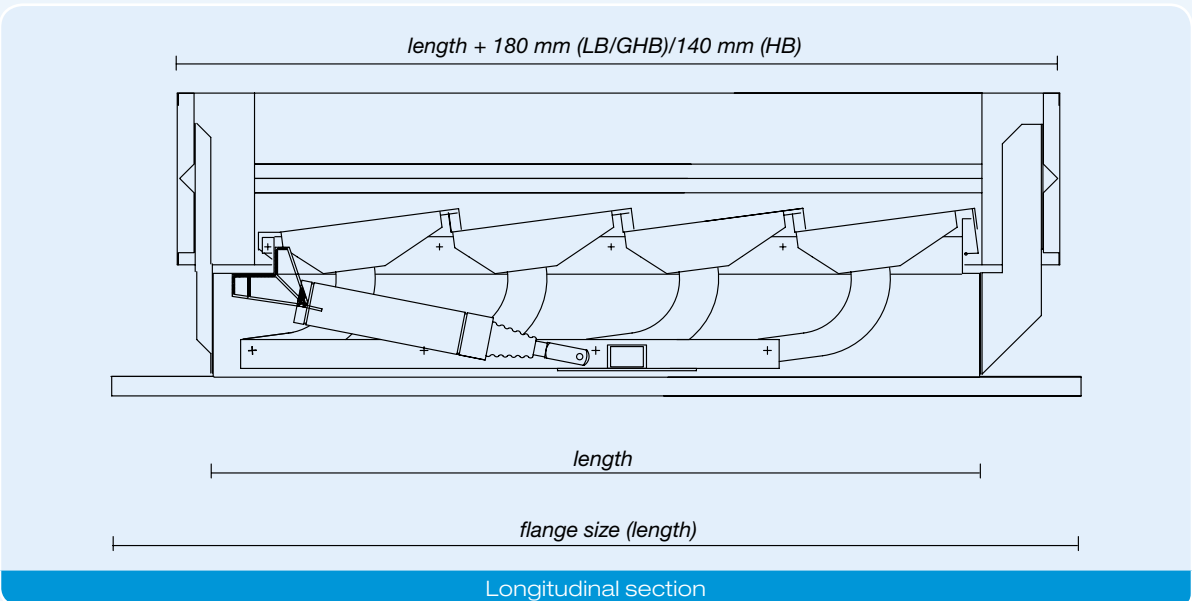
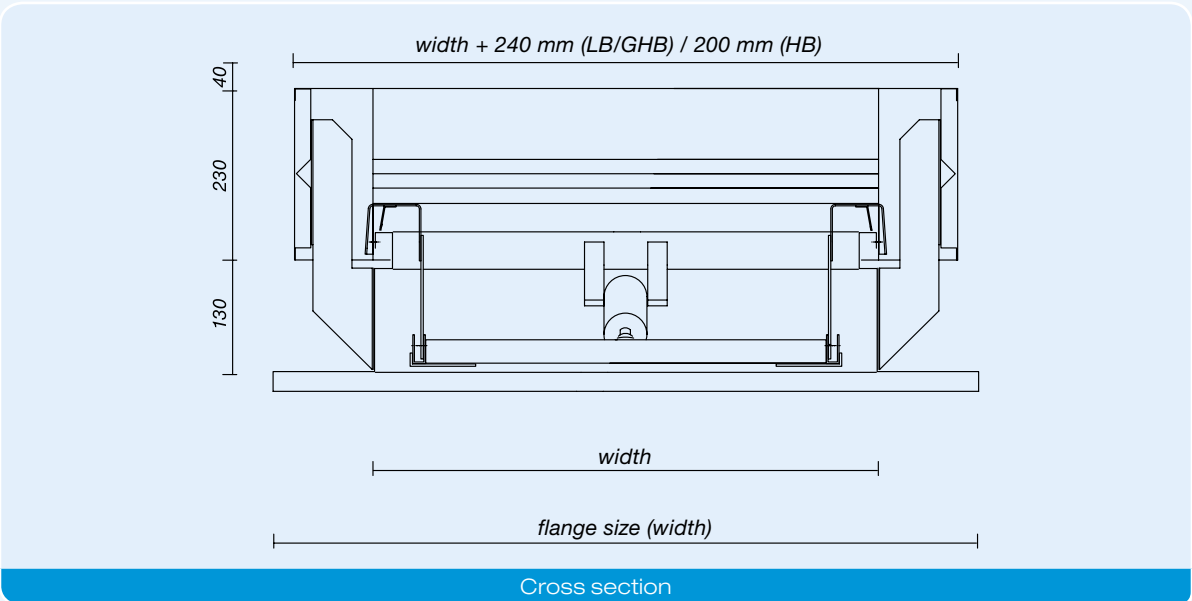
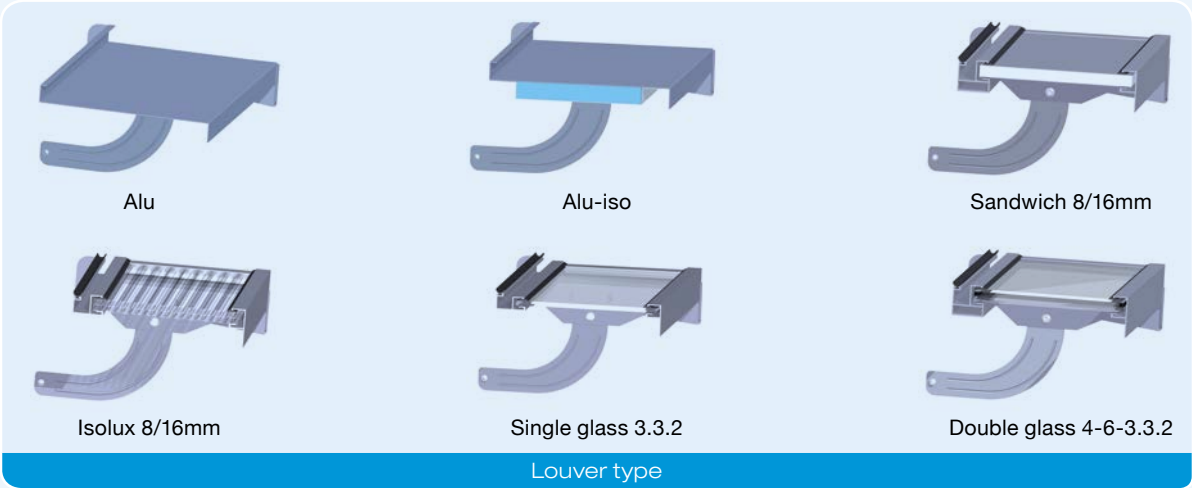
### Fire ventilation according to EN 12101-2:

- PB** single-action compressed air operation with fire function
- P2B** double-action compressed air operation with fire function
- PB-FS** single-action compressed air operation with fire function failsafe (up to 13 louvers)
- PB-M** single-action compressed air operation with fire function and motor operation
- PB-10 bar** single-action compressed air operation with fire function activated at  $\geq 10$  bar
- M24V** motor operation 24V

## Regulations

The system has been tested and is certified in accordance with EN 12101-2.





## Dimensions ventilator (mm)

		NUMBER OF LOUVERS															
Type		3	4	5	6	7	8	9	10	11	12	13	14	15	16	17	
LB*/GHB	Width (mm)	Length (mm)															
	030	300															
	060	600															
	120	1200	720	940	1160	1380	1600	1820	2040	2260	2480	2700	2920	3140	3360	3580	3800
	180	1800															
	240	2400															
HB	Width (mm)	Length (mm)															
	030	340															
	060	640															
	120	1240	760	980	1200	1420	1640	1860	2080	2300	2520	2740	2960	3180	3400	3620	3840
	180	1840															
	240	2440															

\* LB 14 through 17 louvers for assessment: applicable depending on installation situation.

Intermediate dimensions possible.

## Aerodynamic surface (m<sup>2</sup>)

		NUMBER OF LOUVERS														
Type		3	4	5	6	7	8	9	10	11	12	13	14*	15*	16*	17*
030	LB*/GHB	0,14	0,18	0,22	0,26	0,30	0,34	0,39	0,43	0,47	0,51	0,55	0,59	0,64	0,68	0,72
	HB	0,16	0,21	0,26	0,30	0,35	0,40	0,45	0,49	0,54	0,59	0,63	0,68	0,73	0,78	0,82
060	LB*/GHB	0,27	0,36	0,44	0,52	0,60	0,69	0,77	0,85	0,94	1,02	1,10	1,19	1,27	1,35	1,46
	HB	0,31	0,40	0,48	0,57	0,66	0,75	0,84	0,93	1,02	1,10	1,19	1,28	1,37	1,46	1,57
120	LB*/GHB	0,54	0,71	0,88	1,04	1,21	1,38	1,54	1,71	1,90	2,07	2,24	2,41	2,58	2,75	2,92
	HB	0,59	0,77	0,94	1,11	1,28	1,45	1,62	1,80	2,00	2,17	2,35	2,52	2,70	2,87	3,05
180	LB*/GHB	0,82	1,07	1,32	1,56	1,81	2,06	2,35	2,60	2,86	3,11	3,36	3,62	3,87	4,12	4,45
	HB	0,88	1,14	1,39	1,65	1,90	2,16	2,45	2,71	2,97	3,23	3,49	3,74	4,00	4,26	4,59
240	LB*/GHB	1,09	1,42	1,75	2,09	2,42	2,80	3,13	3,47	3,81	4,15	4,49	4,90	5,24	5,58	5,93
	HB	1,17	1,51	1,84	2,18	2,52	2,90	3,25	3,59	3,94	4,28	4,62	5,04	5,39	5,74	6,09

Indicated Cv values at upstand height 350 mm.

\* Aerodynamic coefficient (Cv) 14 through 17 louvers based on extended wind baffle.

## Weight per ventilator (kg)

		NUMBER OF LOUVERS														
Type		3	4	5	6	7	8	9	10	11	12	13	14	15	16	17
030		10	12	14	16	18	20	22	24	26	28	30	32	34	36	38
060		19	23	27	30	33	36	39	42	45	48	51	54	57	60	63
120		28	33	38	42	47	51	56	60	65	69	74	78	82	86	90
180		36	42	48	54	60	66	72	78	84	90	96	102	108	114	120
240		45	52	59	66	73	80	87	94	101	108	115	122	129	136	143

Specified weights do not apply to versions with glass louvres.

Example type indication: Eura 180-10/ GHB/M24V/F5 means: Eura louvered ventilator, width 1800 mm, length 2260 mm (10 louvers); an isolated high base; 24V motor operation, F5 flange.

