



Brakel® Eura-R



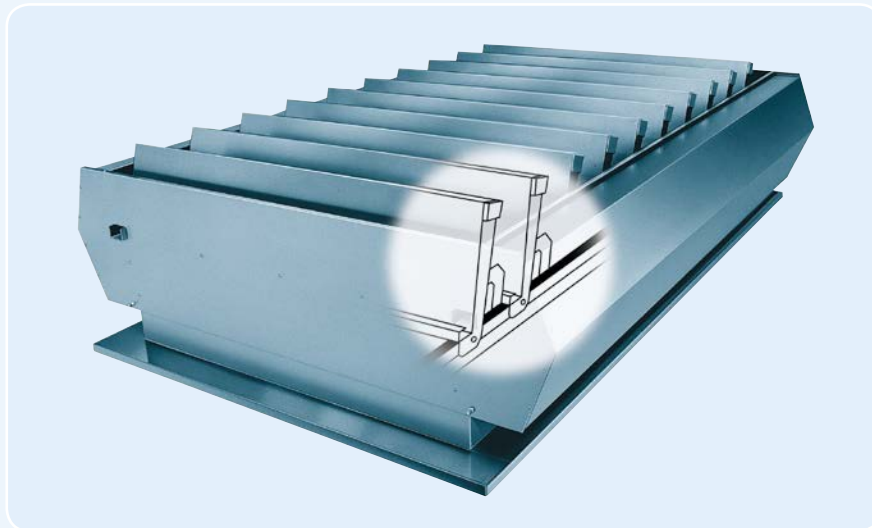
Louvered ventilator with rain-proof side blades

The Eura-R is a variation of the standard Eura and is designed to incorporate rainproof side blades. The Eura-R is therefore ideal for all-weather day-to-day ventilation.

The structure has integrated rain gutters for controlled water drainage.

Like the Eura this product can be customised with a variety of base and flange designs.

Applications: atria, shopping centres, industrial buildings, train stations and ports.



Materials

Aluminium; tempered, sea water- and corrosion-resistant (EN AW 5754). Corrosion-resistant bearings. Seal incorporating a weather-resistant sealing strip longitudinally and energy strips. The seal is applied in such a manner that there is no risk of freezing and a high level of draft-proofness is guaranteed. The aluminium is completely corrosion-resistant and is supplied untreated as standard. If desired the Eura-R can be supplied in an anodised or powder-coated design (in any RAL colour you require). The Eura-R can also be designed to incorporate noise-damping wings and bird or insect mesh.

Controls top louvers

Natural ventilation:

- P** single-action compressed air operation
- P2** double-action compressed air operation
- M** motor operation
- K** cable operation

Fire ventilation according to EN 12101-2:

- PB** single-action compressed air operation with fire function
- P2B** double-action compressed air operation with fire function
- PB-FS** single-action compressed air operation with fire function failsafe (up to 13 louvers)
- PB-M** single-action compressed air operation with fire function and motor operation
- PB-10 bar** single-action compressed air operation with fire function activated at ≥ 10 bar
- M24V** motor operation 24V

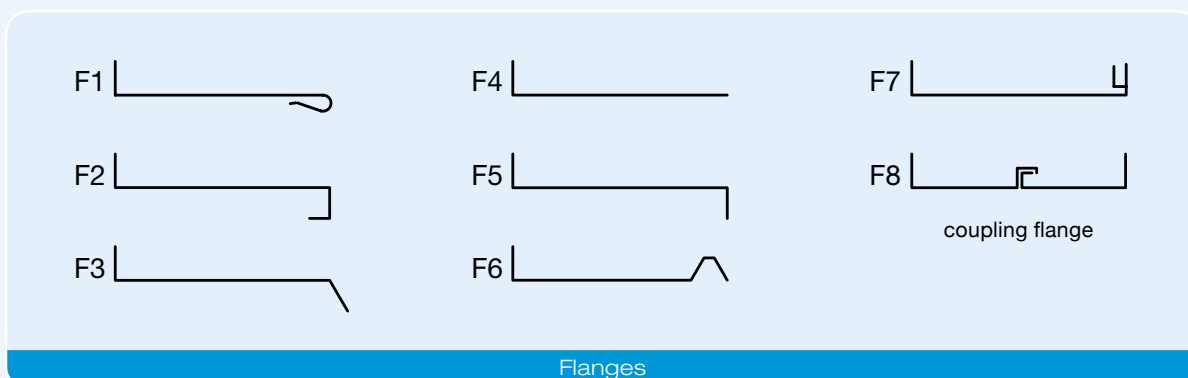
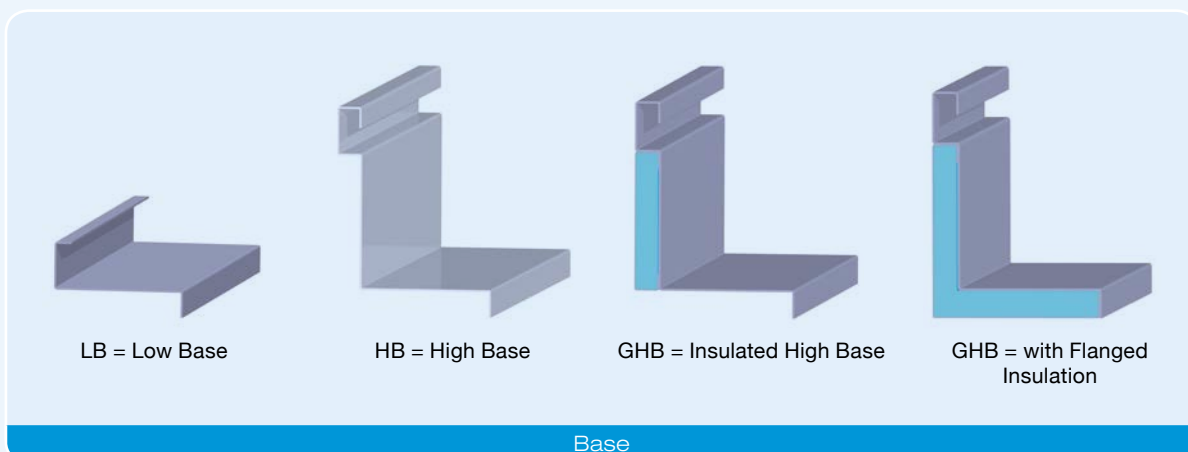
Controls side louvers

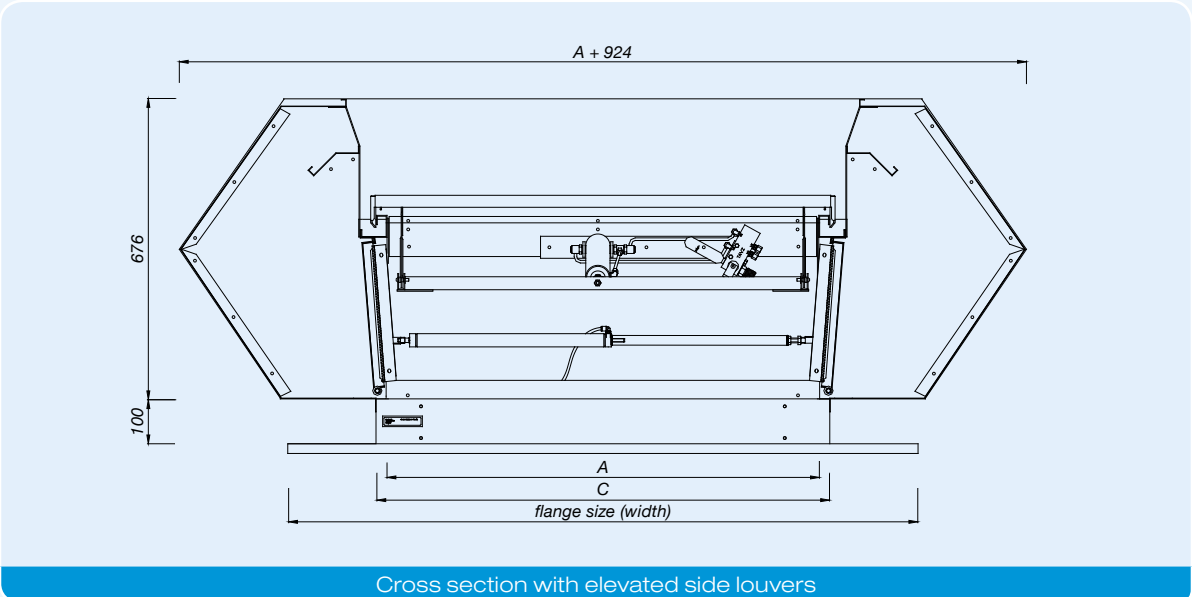
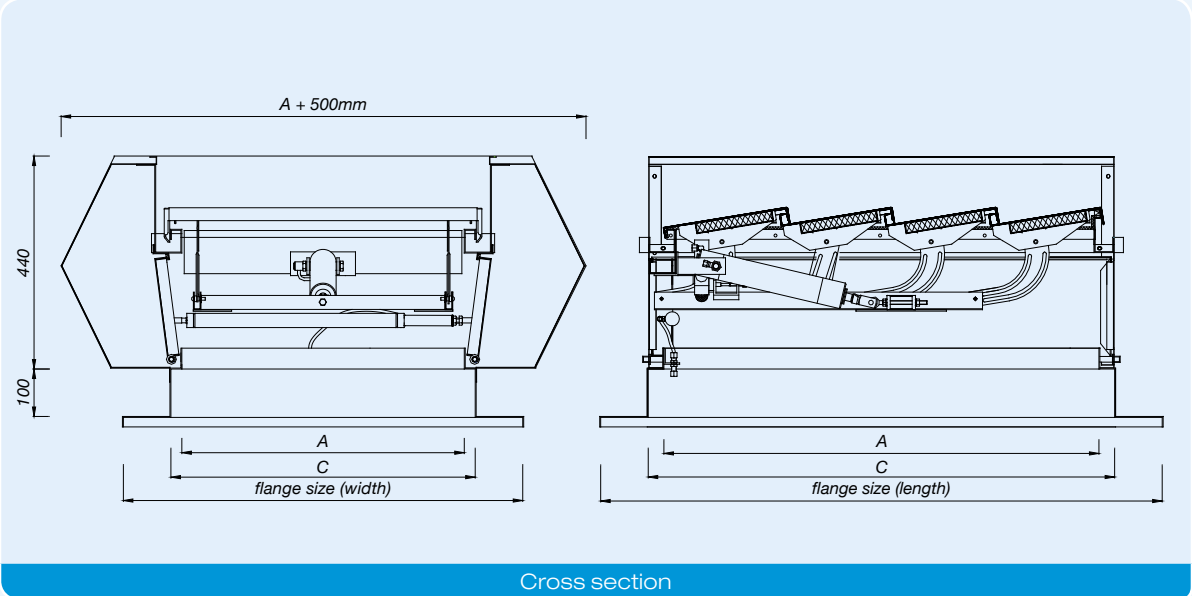
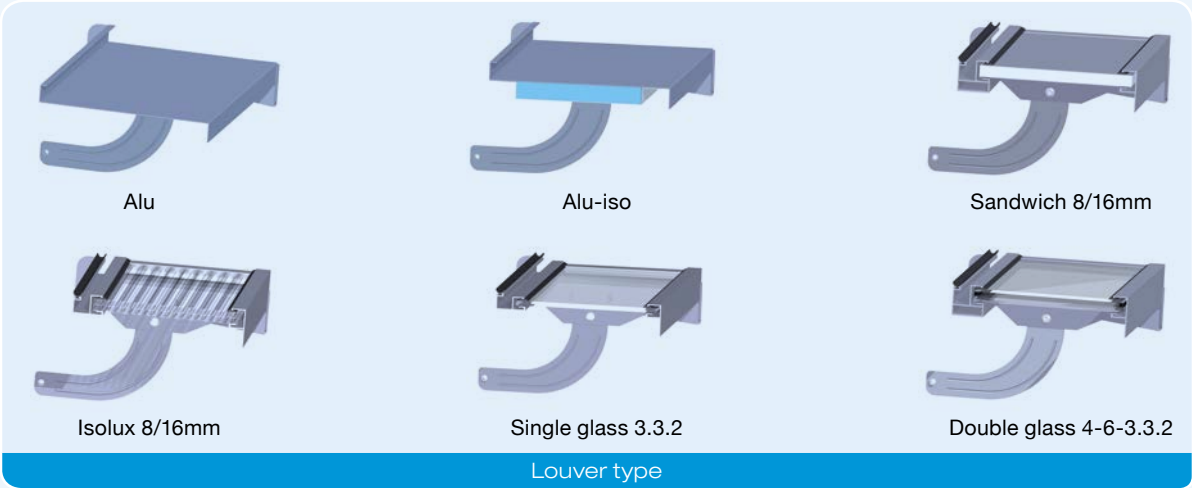
Natural ventilation:

- P** single-action compressed air operation
- M** motor operation (24 Vdc of 230 Vac)
- K** cable operation

Regulations

The system has been tested and is certified in accordance with EN 12101-2.





Dimensions ventilator (mm)

		NUMBER OF LOUVERS														
Type		3	4	5	6	7	8	9	10	11	12	13	14	15	16	17
LB*	Width (mm)	Length (mm)														
060	600															
120	1200	700	920	1140	1360	1580	1800	2020	2240	2460	2680	2900	3120	3340	3560	3780
180	1800															
GHB	Width (mm)	Length (mm)														
060	600															
120	1200	720	940	1160	1380	1600	1820	2040	2260	2480	2700	2920	3140	3360	3580	3800
180	1800															
HB	Width (mm)	Length (mm)														
060	640															
120	1240	760	980	1200	1420	1640	1860	2080	2300	2520	2740	2960	3180	3400	3620	3840
180	1840															

* LB 14 through 17 louvers for assessment: applicable depending on installation situation.

Intermediate dimensions possible.

Aerodynamic surface top louvers (m²)

		NUMBER OF LOUVERS														
Type		3	4	5	6	7	8	9	10	11	12	13	14	15	16	17
060	LB	0,26	0,35	0,43	0,52	0,60	0,68	0,76	0,84	0,93	1,01	1,10	1,18	1,26	1,35	1,45
	GHB	0,27	0,36	0,44	0,52	0,60	0,69	0,77	0,85	0,94	1,02	1,10	1,19	1,27	1,35	1,46
	HB	0,31	0,40	0,48	0,57	0,66	0,75	0,84	0,93	1,02	1,10	1,19	1,28	1,37	1,46	1,57
120	LB	0,53	0,69	0,86	1,03	1,20	1,36	1,52	1,69	1,89	2,06	2,23	2,39	2,57	2,73	2,91
	GHB	0,54	0,71	0,88	1,04	1,21	1,38	1,54	1,71	1,90	2,07	2,24	2,41	2,58	2,75	2,92
	HB	0,59	0,77	0,94	1,11	1,28	1,45	1,62	1,80	2,00	2,17	2,35	2,52	2,70	2,87	3,05
180	LB	0,79	1,05	1,29	1,54	1,79	2,04	2,33	2,58	2,84	3,08	3,34	3,60	3,85	4,10	4,42
	GHB	0,82	1,07	1,32	1,56	1,81	2,06	2,35	2,60	2,86	3,11	3,36	3,62	3,87	4,12	4,45
	HB	0,88	1,14	1,39	1,65	1,90	2,16	2,45	2,71	2,97	3,23	3,49	3,74	4,00	4,26	4,59

Indicated Cv values at upstand height 350 mm.

Geometric surface side louvers (m²)

		NUMBER OF TOP LOUVERS														
Type		3	4	5	6	7	8	9	10	11	12	13	14	15	16	17
normal	LB/HB/GHB	0,27	0,35	0,43	0,52	0,60	0,68	0,76	0,85	0,93	1,01	1,09	1,17	1,26	1,34	1,42
elevé	LB/HB/GHB	0,45	0,59	0,73	0,87	1,01	1,15	1,29	1,42	1,56	1,70	1,84	1,98	2,12	2,26	2,39

Weight per ventilator (kg)

		NUMBER OF LOUVERS														
Type		3	4	5	6	7	8	9	10	11	12	13	14	15	16	17
060		30	36	42	46	50	53	57	61	65	68	71	76	80	84	88
120		45	52	59	64	71	75	82	87	94	98	104	109	115	120	126
180		58	66	74	82	90	97	105	113	121	128	134	143	151	160	168

Specified weights do not apply to versions with glass louvers.

Example type indication: Eura-R 180-10/ GHB/M24V/F5 means: Eura-R louvered ventilator, width 1800 mm, length 2260 mm (10 louvers); an isolated high base; 24V motor operation, F5 flange.

For further information, go to our website: www.brakel.com

